

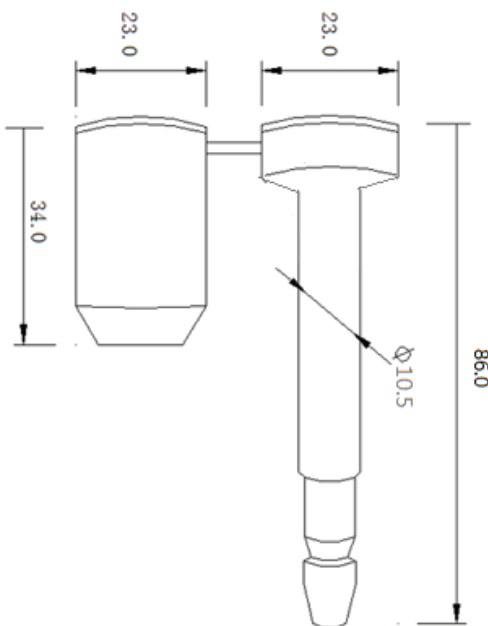
Your Benefits:

- ✓ Anti Spinning Function
- ✓ ISO17712:2013 Certified
- ✓ Unique Serial Number
- ✓ Strong Steel Core



The inotronix container seals are designed for a maximized security of your products. Once the container seal is locked, it can only be opened with heavy tools. This prevents theft of your goods or product piracy.

It is impossible to manipulate the seal without damaging it. The seals are made of a massive steel core coated with a thick plastic layer. For more safety it has an anti-spinning function. The seal is protected against spinning it off or overheating.



Applications:

- ✓ Cargo Container
- ✓ Railway Container
- ✓ Swap Body
- ✓ Storage Container

